



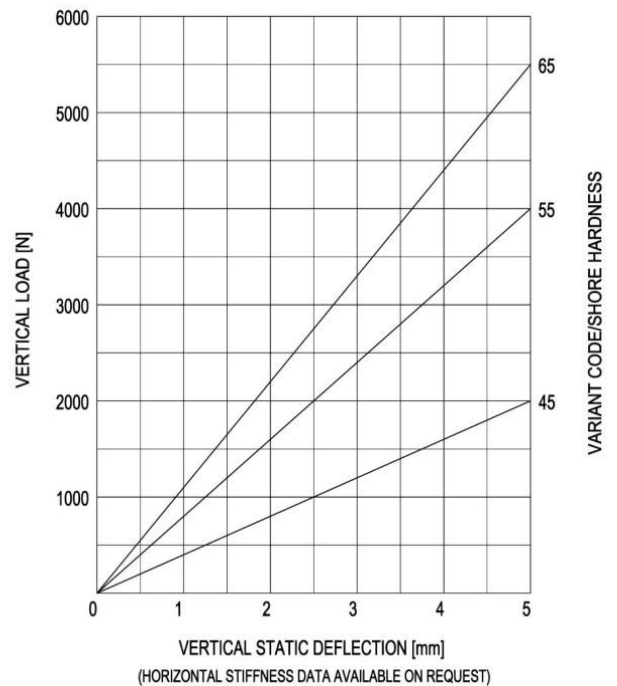
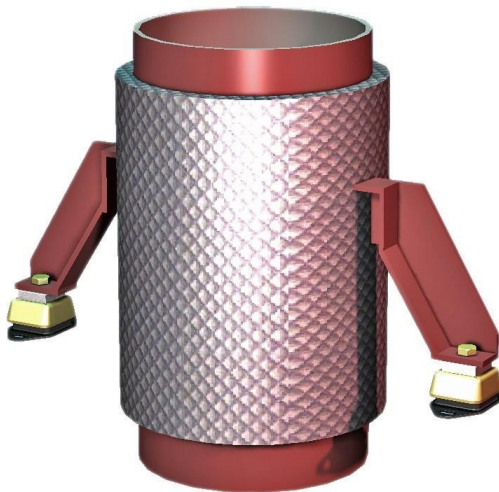
## FFP - Mounting

type 20 - FFP - 2

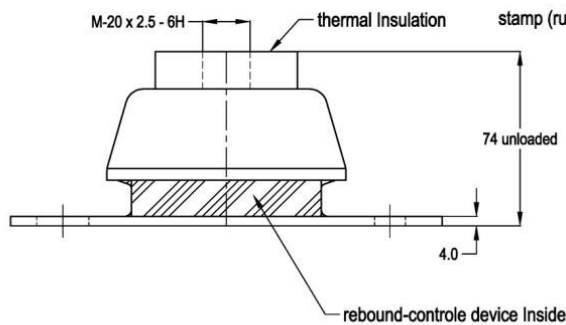
Max. 550 kg - 5 mm - 7 Hz

**FFP -type** Flexible Fixed Points are used to support both vertical pipe sections and exhaust silencers. They are fitted with a thermal insulating plate for heat protection and feature protection against complete loss of support in the event of mechanical or fire damage. FFP - elements are also available with M16 and M12 inner thread . Customers are recommended to contact our application engineers for further technical information on products and applications.

Applications: supporting and stabilizing pipe sections and exhaust systems.



**SIDEVIEW**



**TOP-VIEW**

